



# VERSALIFT

## VTX240

Two 3-stage telescopic booms



Reach worksites up and over obstacles



Reach worksites below the vehicle



Automatic setup and packing



Available for class B driving licence



2 x 90° bucket rotation



# VERSALIFT

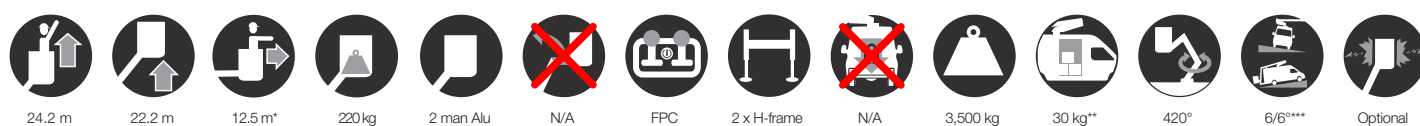
A **TIME** MANUFACTURING COMPANY

# VTX240 - Mercedes-Benz Sprinter

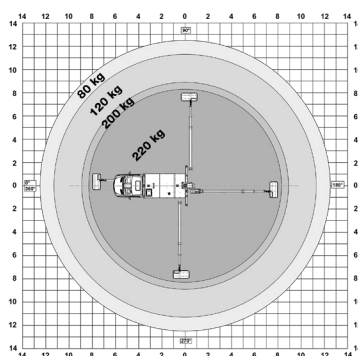
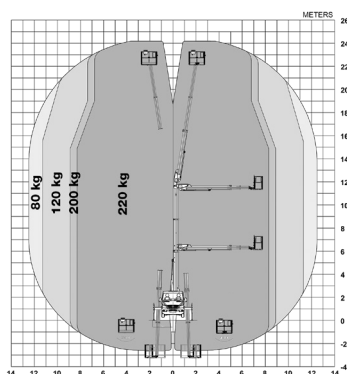


- Userfriendly and visual display guides the user through an easy set-up and outrigger operation
- HOME Function: Automatically packing the platform and outriggers with a push of a button
- Incredible 6° leveling
- Bottom mounted cage
- 3,3 meter below ground level

■ Length: 7,825 mm ■ Height: 2,260 mm ■ Wheelbase: 4,325 mm



## Diagramme(s)



## Options

- Eco start/stop
- Auto-door lock
- Flashing lights on the vehicle
- Available in most colors



Userfriendly display in the cabin



Ability to work below ground level (-3,3 meters)



6° leveling depending on vehicle position



FPC (Full Proportional CANbus):  
Variable outreach, up to 4 simultaneous actions and home function

## Notes

Technical information is subject to change without prior notice. Images may show optional equipment. Installations and/or options may not be available in your specific region.

\* Depending on the vehicle.

\*\* Max payload with a driver, a passenger and a full tank of fuel (225 kg added to the installation weight).

\*\*\* Depending on the vehicle position

## Distributor

**Versalift International**  
Soendervang 3, 9640 Farsoe  
Denmark

+45 9863 2433  
sales@versalift.dk  
versaliftinternational.com